

## *Diamatic 335MC*

*Service manual*

*Version 1.3*

*From Serial Number 9371B*



**Diamatic**

Utrechthaven 12

NL - 3433 PN NIEUWEGEIN

Tel: 0031 (0)30 223 8630

Fax: 0031 (0)30 223 8981

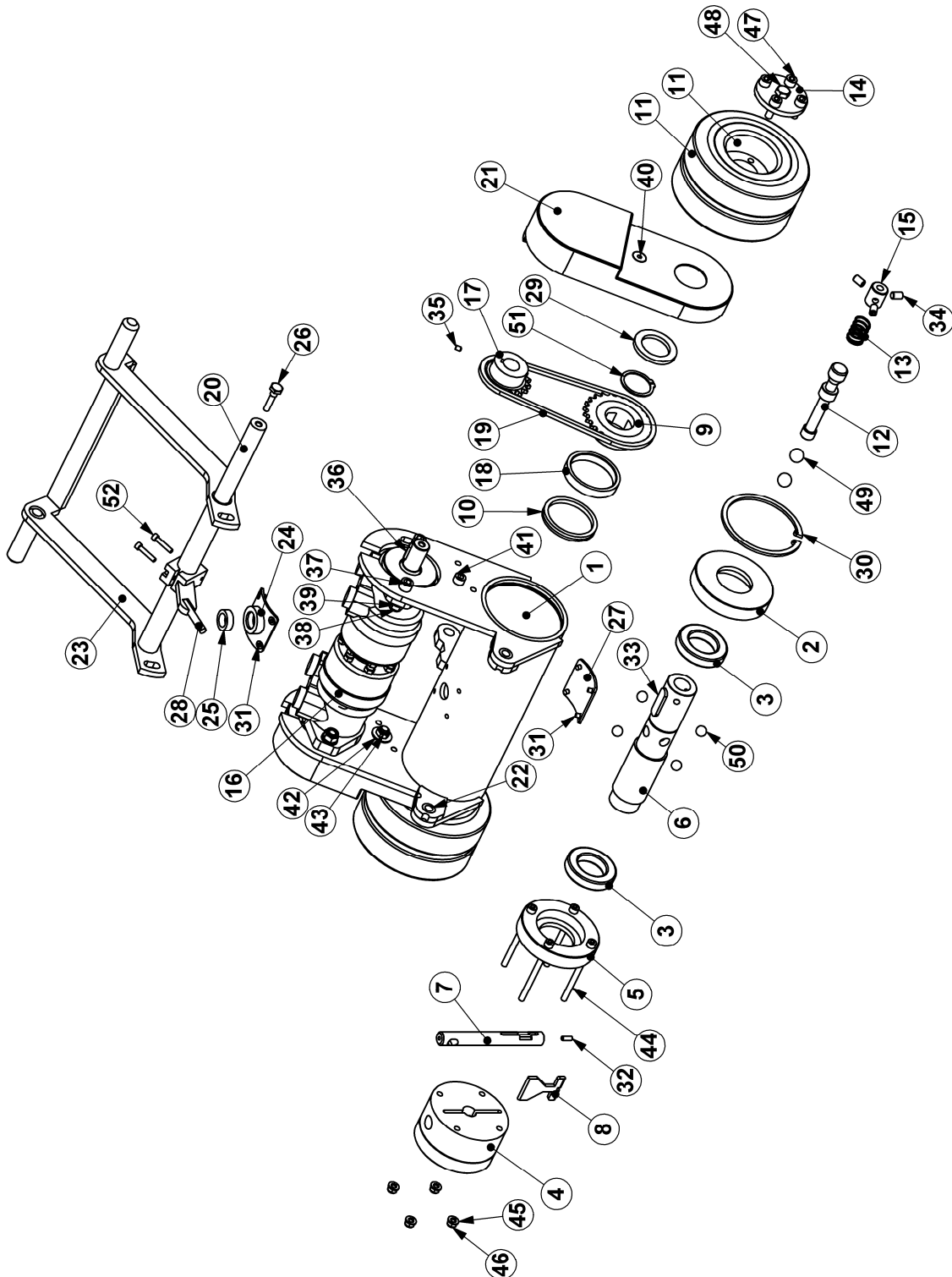
Info@diamatic.eu

The Netherlands

## Table of contents

<b>1. Spare parts</b>	04
<b>2. Electric schedules</b>	
E06180 / 3x 400V / 50Hz	19
E06442 / 3x 480V UL / 60Hz	25

## 1. Spare parts Drive unit

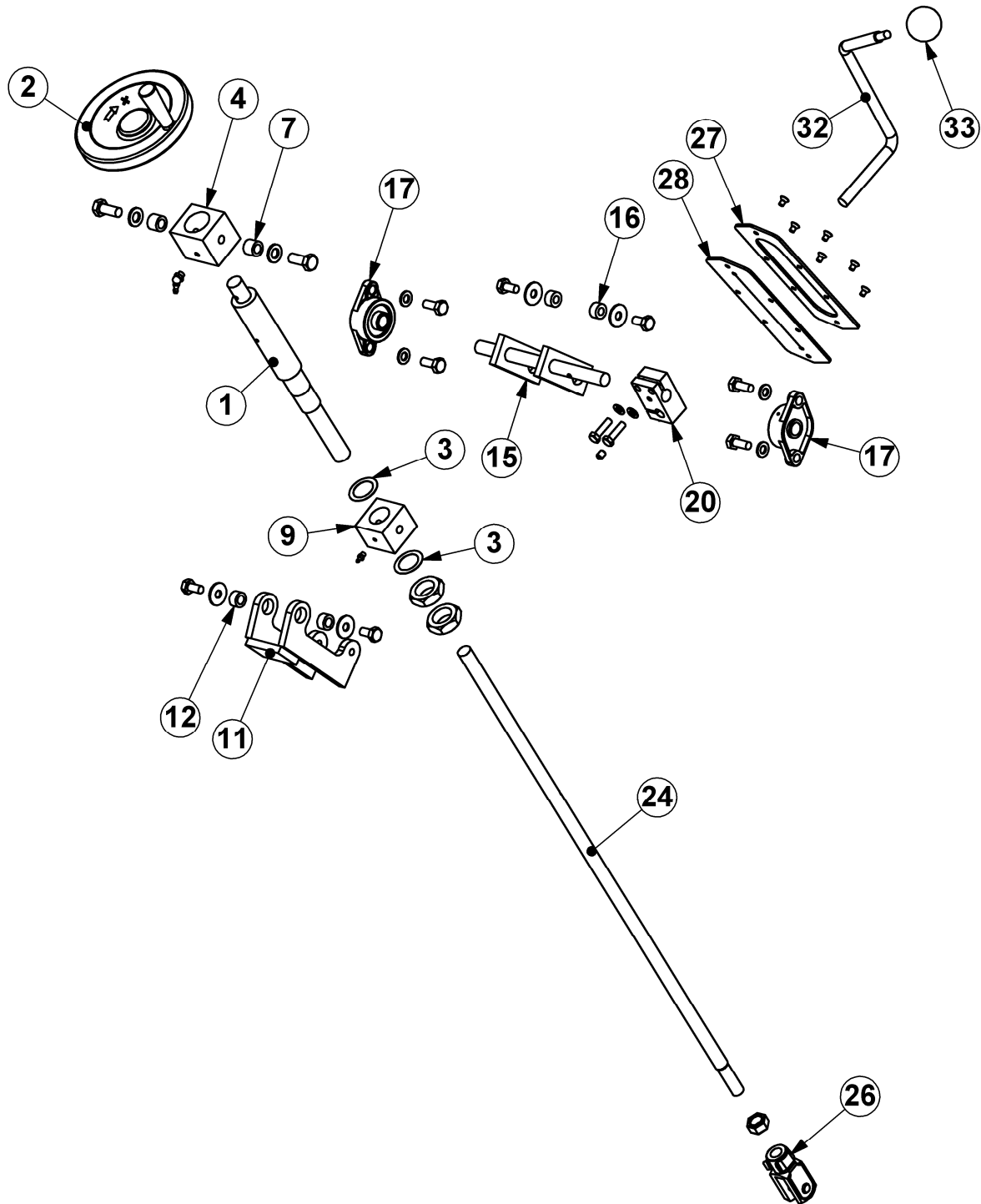


**Drive unit**

Item	Part number	Description	Remarks	Qty.
1	E03854	Drive bracket		1
2	E03863	Bearing house outer		2
3	E01477	Bearing		4
4	E03855	Clutch house		1
5	E03862	Bearing house inner		2
6	E03864	Wheel shaft		2
7	E03860	Shaft slide plate		1
8	E03861	Slide plate		1
9	E03936	Bottom sprocket		2
10	E03939	V-ring seal		2
11	E03935	Wheel complete		2
12	E03865	Coupling shaft		2
13	E03942	Spring		2
14	E03869	End plate		2
15	E03866	Spring retainer		2
16	350-4005-S	Hydraulic motor		2
17	E03945	Sprocket		2
18	E03937	Distance ring		2
19	E00237 (1.5M)+ E00238 + E00451	Chain complete		2
20	E03870	Hinge shaft		1
21	E03871	Chain guard		2
22	E03943	Bush		2
23	E03948	Treadle		1
24	E03946	Dust protection		1
25	E03947	Felt seal		1
26	E04035	Hinge bolt		2
27	E04034	Cover plate		1
28	E04037	Lever		1
29	E04462	Felt seal		2
30	BE0636	Circlip Ø120	DIN472	2
31	BE0453	M6x10 Countersunk head screw	DIN7991	8
32	BE0637	M6x16 hexagon socket set screw	DIN916	1
33	BE0638	14x9x50 Parallel key	DIN6885A	2
34	BE0194	M10x16 Hexagon socket screw	DIN933	6
35	BE0473	M6x8 hexagon socket head screw	DIN916	2
36	BE0256	30x8x7 Parallel key	DIN6885A	2
37	BE0199	M12x40 Hexagon socket head cap	DIN912	4

Item	Part number	Description	Remarks	Qty.
38	BE0073	M12 Lock nut	DIN985	4
39	BE0026	M12 Washer	DIN125A	4
40	BE0465	M10x40 Countersunk head screw	DIN7991	2
41	BE0195	M10x35 Hexagon socket head cap	DIN912	2
42	BE0029	M10 Washer Ø30	DIN9021	2
43	BE0023	M10 Lock nut	DIN985	2
44	BE0635	M8x110 Hexagon socket head cap	DIN912	4
45	BE0003	M8 Washer	DIN125A	4
46	BE0048	M8 Lock nut	DIN985	4
47	BE0443	M10x25 Hexagon socket head cap	DIN912	8
48	BE0024	M12x35 Bolt	DIN933	2
49	E03941	Ball Ø20	DIN4501	4
50	E03940	Ball Ø15	DIN4501	8
51	BE0124	Circlip Ø45	DIN471	2
52	BE0189	M6x30 Hexagon socket head cap	DIN912	2

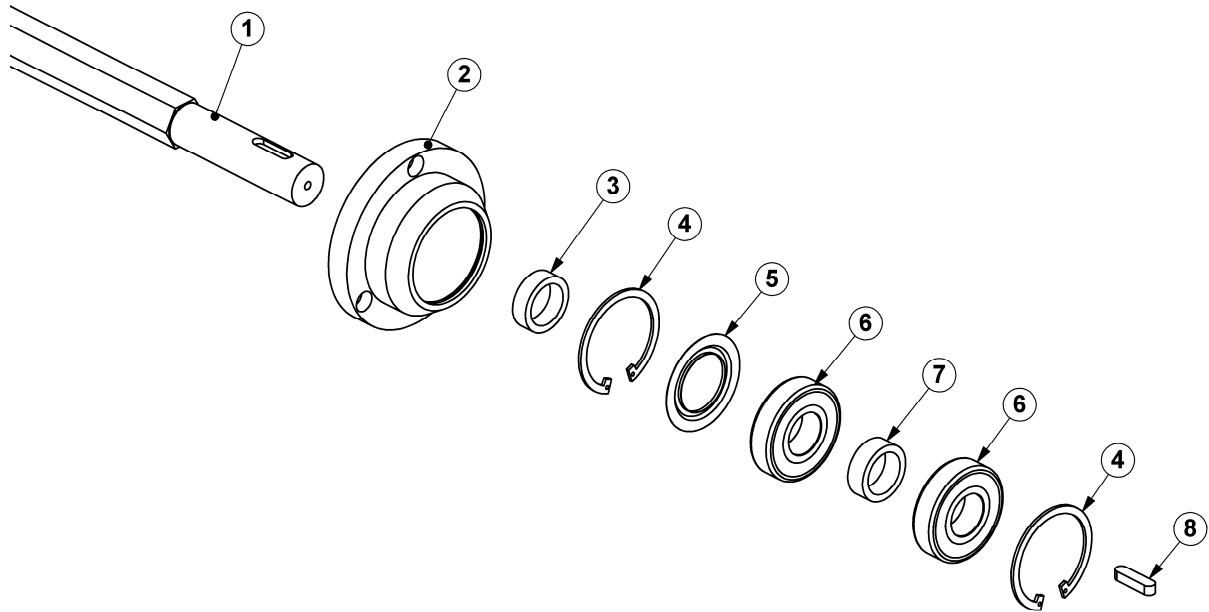
## Lifting device



**Lifting device**

Item	Part number	Description	Remarks	Qty.
1	E03349	Spindle sleeve		1
2	E03353	Handwheel		1
3	E03352	Shim 40x28x0.5	DIN988	2
4	E03350	Upper bearing		1
7	E03326	Bush		2
9	E03351	Lower bearing		1
11	E03356	Knee lever		1
12	E03363	Bushing		2
15	E03358	Knee lever axle		1
16	E03362	Bushing		2
17	E03359	Bearing		2
20	E03360	Clamping piece		1
24	E03355	Spindle		1
26	BE0561	Fork joint	DIN71752	1
27	E03368	Gasket cover plate		1
28	E03367	Gasket		1
32	E03365_1	Lever		1
33	E03365_2	Knob lever		1

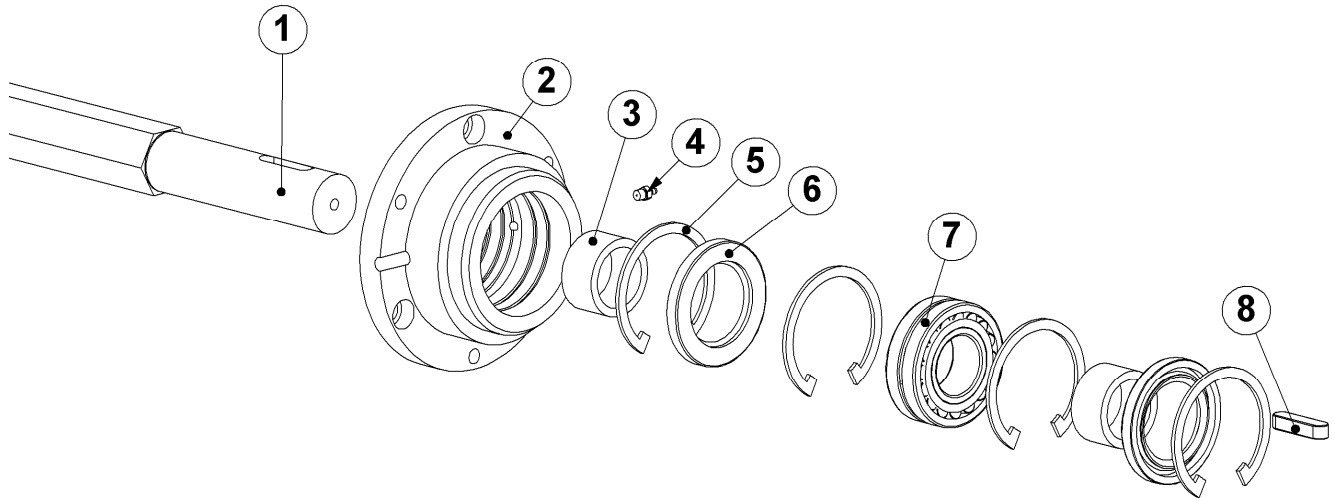
## Bearing unit complete E03952 (old bearing unit)



Item	Part number	Description	Remarks	Qty.
1	E04041	Hexagon drive shaft		1
2	E03313-1	Bearing house left		1
3	E04042	Distance ring		1
4	BE0107	Circlip Ø80	DIN472	2
5	E03312	Protection ring		1
6	E03991	Bearing		2
7	E03316	Distance bush		1
8	BE0252	Parallel key 10x8x40	DIN6885A	1
1 - 8	E03952	Bearing unit complete		1

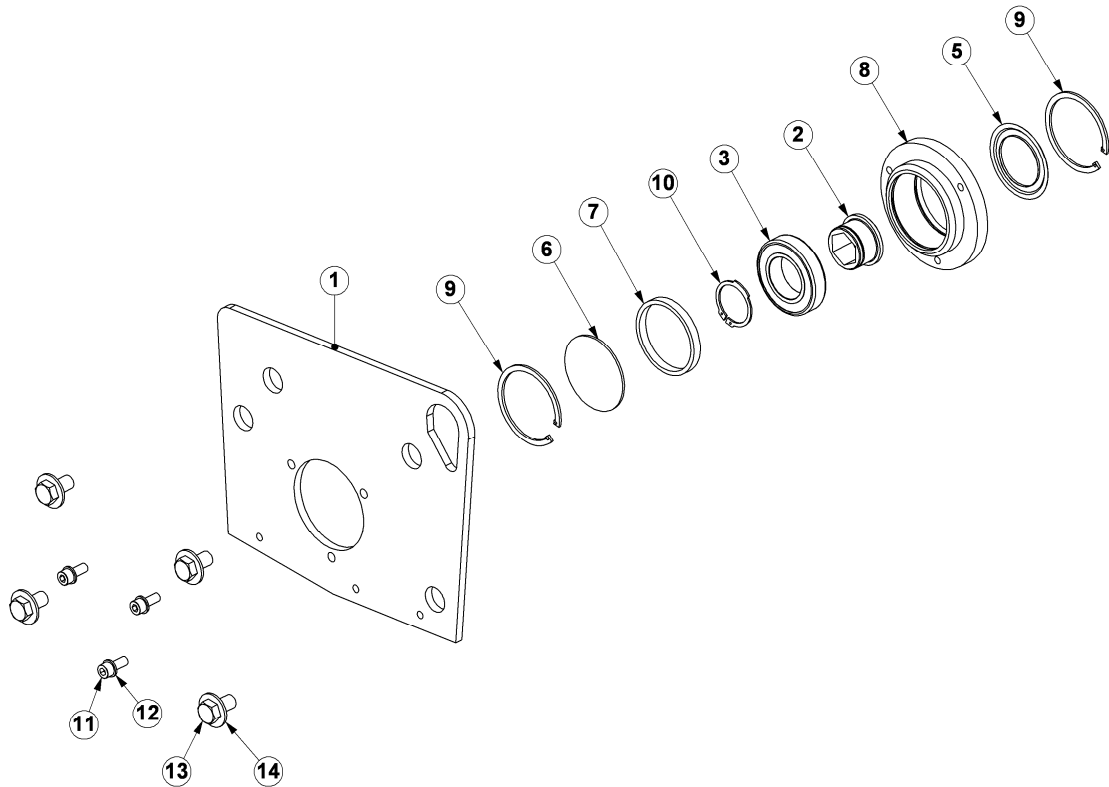


## Bearing unit complete E07799 (new bearing unit)



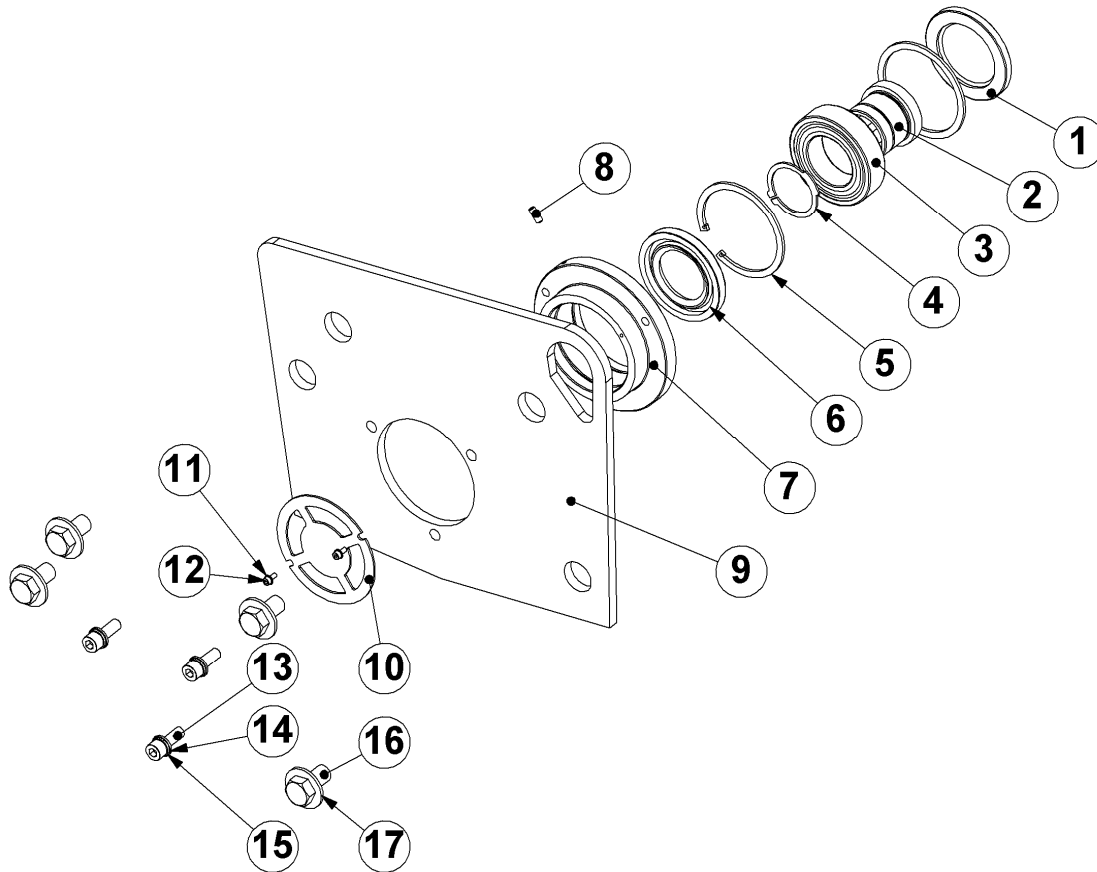
Item	Part number	Description	Remarks	Qty.
1	E04041	Hexagon drive shaft		1
2	E07797	Bearing house left hand		1
3	E07796	Distance ring		2
4	BE0678	M6-180 lubrication nipple	DIN 71412A	1
5	350-2450	Circlip Ø72	DIN 472	4
6	E08701	Radial shaft seal		2
7	E08700	Bearing		1
8	BE0252	Parallel key 10x8x40	DIN6885A	1
1 - 8	E07799	Bearing unit complete		1
	E08727	Grease for bearing		1

## Side plate & bearing unit (old bearing unit)



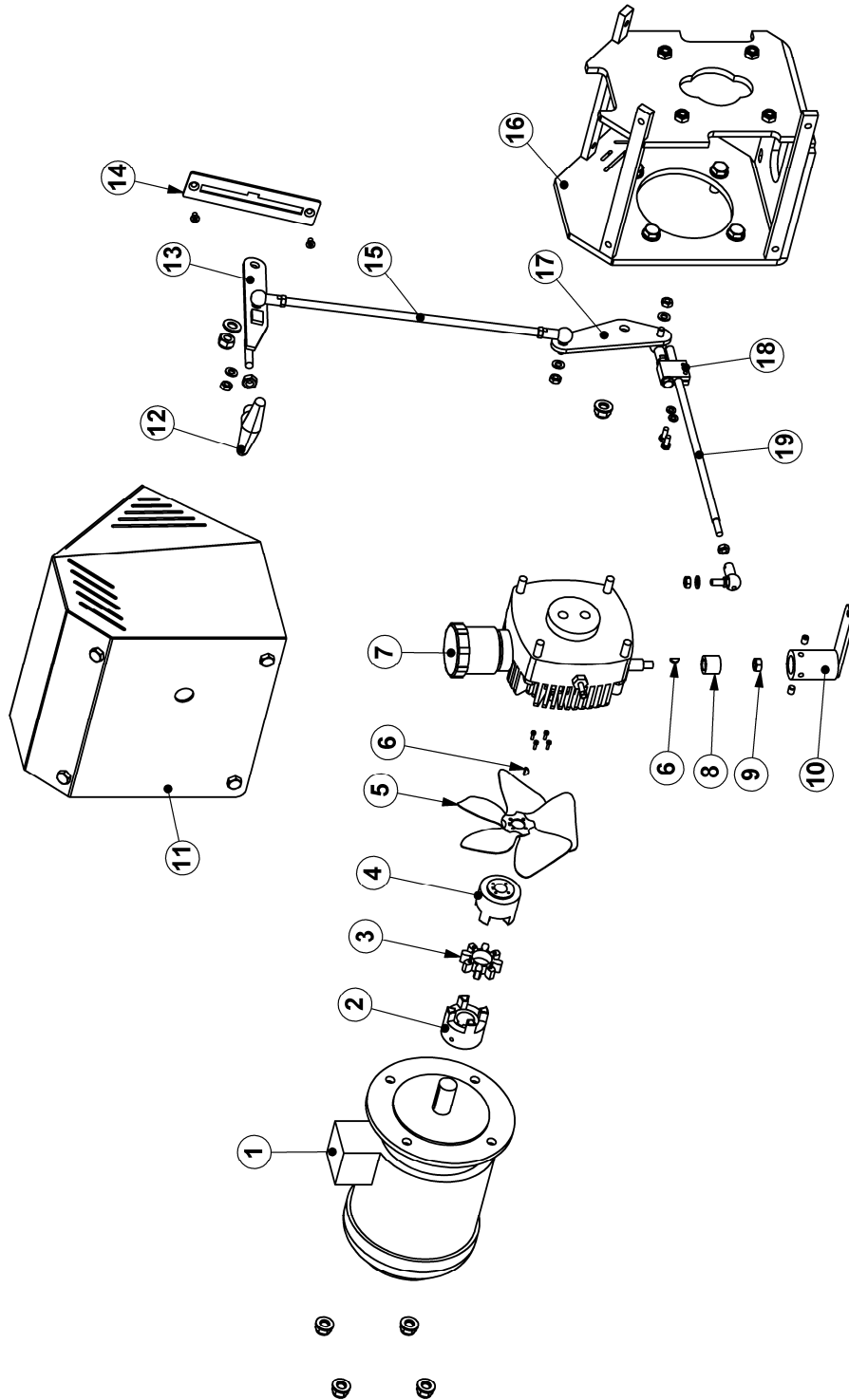
Item	Part number	Description	Remarks	Qty.
1	E06312	Side plate only		1
2	E03309	Hexagon driving support		1
3	E03992	Bearing		1
5	E03310	Protection ring		1
6	E03307	Cover disk		1
7	E03308	Distance ring		1
8	E03305	Bearing housing right		1
9	E03993	Circlip Ø90	DIN472	2
10	BE0126	Circlip Ø50	DIN471	1
11	BE0443	M10x25 Hexagon socket head cap	DIN912	3
12	BE0004	M10-Washer	DIN125A	3
13	BE0585	M16x30 Bolt	DIN933	4
14	BE0306	M16-Washer	DIN125A	4
2-10	E03953	Bearing unit complete		1

## Side plate & bearing unit (New bearing unit)



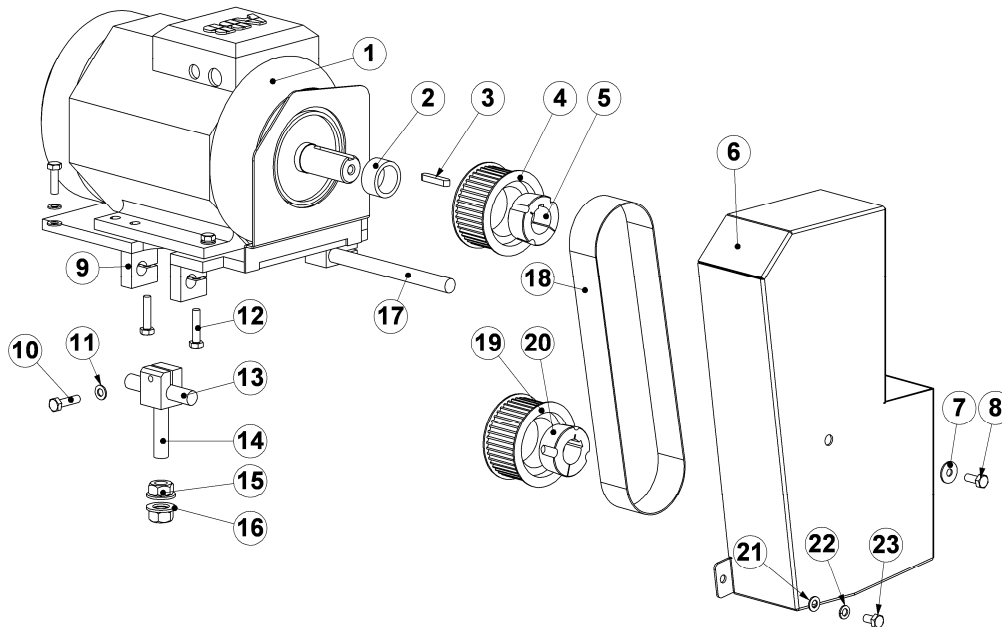
Item	Part number	Description	Remarks	Qty.
1	E07779	Radial shaft seal		1
2	E07778	Hexagon driving support long		1
3	E08722	Bearing		1
4	BE0126	Circlip Ø50	DIN 471	1
5	E03993	Circlip Ø90	DIN 472	2
6	E07780	Radial shaft seal		1
7	E07768	Bearing house		1
8	BE0474	M6x10 set screw	DIN 916	1
9	E06312	Side plate only		1
10	E08724	Cover plate		1
11	BE0303	M4 washer	DIN 125A	2
12	BE0176	M4x10 hexagon socket head cap	DIN 912	2
13	BE0004	M10 washer	DIN 125A	3
14	BE0006	M10 spring lock washer	DIN 127B	3
15	BE0054	M10x30 hexagon socket head cap	DIN 912	3
16	BE0306	M16 washer	DIN 125A	4
17	BE0585	M16x30 bolt	DIN 933	4
1-8	E07798	Bearing unit complete		1

## Hydraulic pump & drive control of Diamatic 335MC



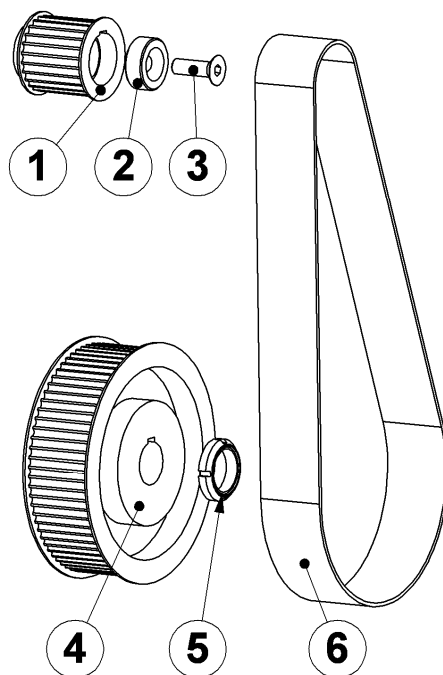
Item	Part number	Description	Remarks	Qty.
1	E04001	Pump motor		1
2	E04050	Coupling part 1		1
3	E04052	Coupling insert		1
4	E04051	Coupling part 2		1
5	E03378	Fan		1
6	E03996_8	1/8 x 1/2 Woodruff key		2
7	E03996_1	Hydraulic gearbox		1
8	E04008	Adapter		1
9	BE0639	Nut 3/8-16 UNC		1
10	E03379	Lever		1
11	E04004	Cover		1
12	E03387	T-grip		1
13	E03984	Lever		1
14	E03366	Lock-in plate		1
15	E03385	Threated end		1
16	E04002	Bracket hydropump		1
17	E03985	Lever plate		1
18	E03388	Clamping piece		1
19	E03983	Rod		1

## Drive Diamatic 335MC



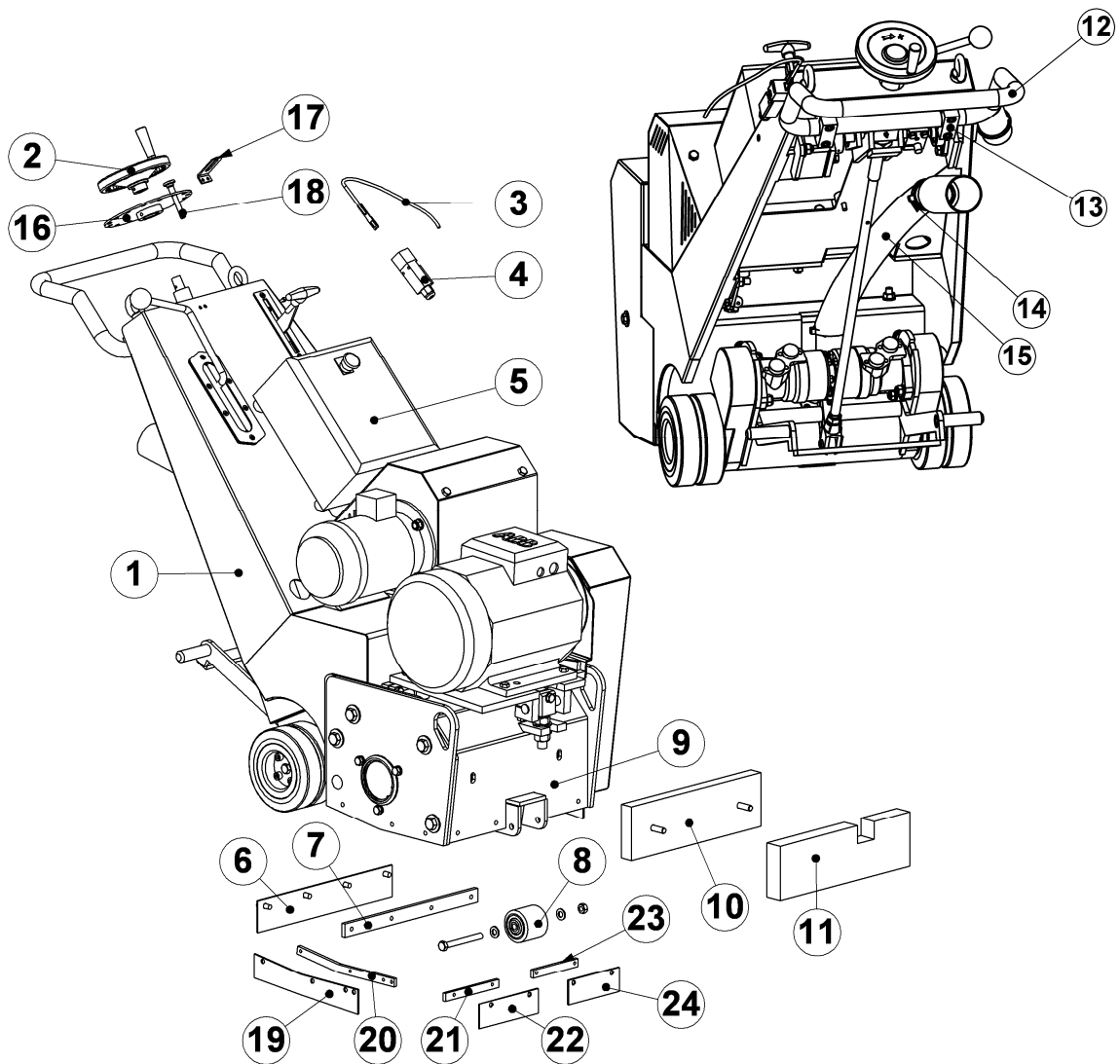
Item	Part number	Description	Remarks	Qty.
1	E04058	Motor 11 kW		1
2	E04014	Distance bush		1
3	BE0086	Parallel key 10x8x45	DIN6885A	1
4	E02036	Pulley		1
5	222-2171	Taperlock bush		1
6	E03998	Belt guard		1
7	BE0029	10 washer Ø30	DIN9021	1
8	BE0039	M10x25 hexagon bolt	DIN933	1
9	E03977	Motor base plate		1
10	BE0010	M10x40 hexagon bolt	DIN933	2
11	BE0004	M10 washer	DIN125A	1
12	BE0043	M10x45 hexagon bolt	DIN933	2
13	E03393	Bolt		1
14	E03392	Eye bolt		1
15	BE0283	M20 nut	DIN934	2
16	BE0096	M20 washer	DIN125A	2
17	E03978	Shaft motor base plate		1
18	E04697	Belt		1
19	E03636	Pulley		1
20	E04732	Taperlock bush		1
21	BE0004	M10 washer	DIN125A	1
22	BE0006	M10 spring washer	DIN127B	1
23	BE0365	M10x12 hexagon bolt	DIN933	1

## Rebuild kit



Item	Part number	Description	Remarks	Qty.
1	E03404	Pulley		1
	E04660	Pulley for 60Hz		1
2	E04013	Fixation bush		1
3	BE0626	M12x40 Countersunk head screw	DIN7991	1
4	E03406	Pulley		1
5	BE0087	M35 slotted nut		1
6	E04009	Belt		1
1-6	E06499	Rebuild kit		1
	E06499/UL	Rebuild kit for 60Hz		1

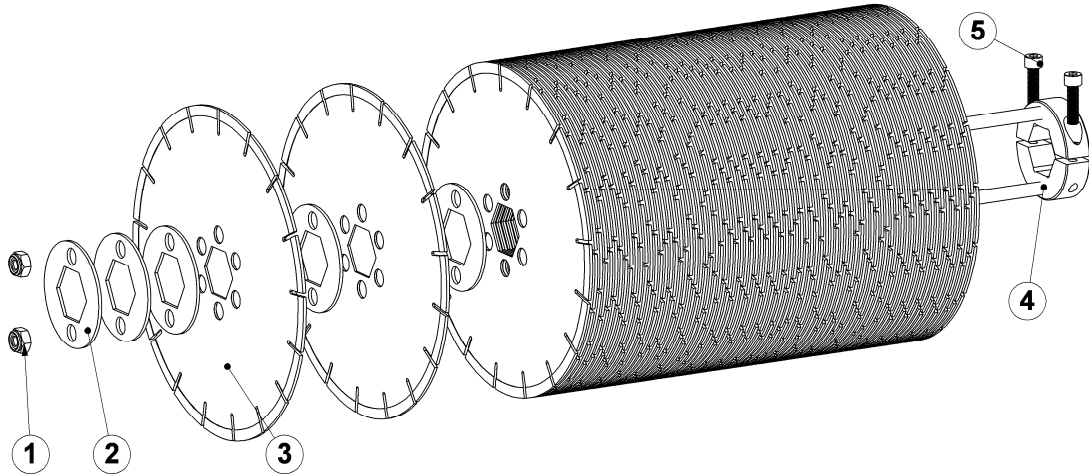
## General parts for Diamatic 335MC





Item	Part number	Description	Remarks	Qty.
1	E03974	Main body		1
2	E03353	Handwheel		1
3	BG11758	Cord for deadman switch		1
4	BG11760	Deadman switch		1
5	E06180	Electrical box 3x 400V / 50Hz		1
	E06442	Electrical box 3x 480V UL 60Hz		1
6	E03989	Rubber gasket		1
7	E03321	Clamping bar		1
8	E03317	Front wheel		1
9	E06319	Frame		1
10	E03412	Weight 1		1
11	E03413	Weight 2		1
12	E03382	Handle		1
13	E03381	Clamping piece		2
14	ST-73300	Hose clamp		2
15	E00561	Hose		0.7M
16	E06440	Adjustable depth control		1
17	E06441	Fork		1
18	E06445	Locking pin		1
19	E06333	Rubber gasket side		2
20	E06330	Clamping bar side		2
21	E06332	Clamping bar front		1
22	E06334	Rubber gasket front		1
23	E06331	Clamping bar front small		1
24	E06335	Rubber gasket front small		1

## Sawing drum

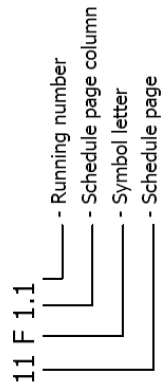


Item	Part number	Description	Remarks	Qty.
1	BE0023	M10 lock nut	DIN985	2
2	E06079	Spacer ring		85
3	E06320	Diamond blade green 30/40		80
	E06321	Diamond blade blue 30/40		80
4	E06078	Drum for diamond blades		1
5	BE0438	M8x30 hexagon socket head cap	DIN912	2

Width of sawing [mm]	Qty of blades	Qty of spacers
340	80	85
300	71	92
250	59	100
200	47	108
150	35	116
100	24	125
50	12	133

E06180 / 3x 400V / 50Hz

## SYMBOL CODE



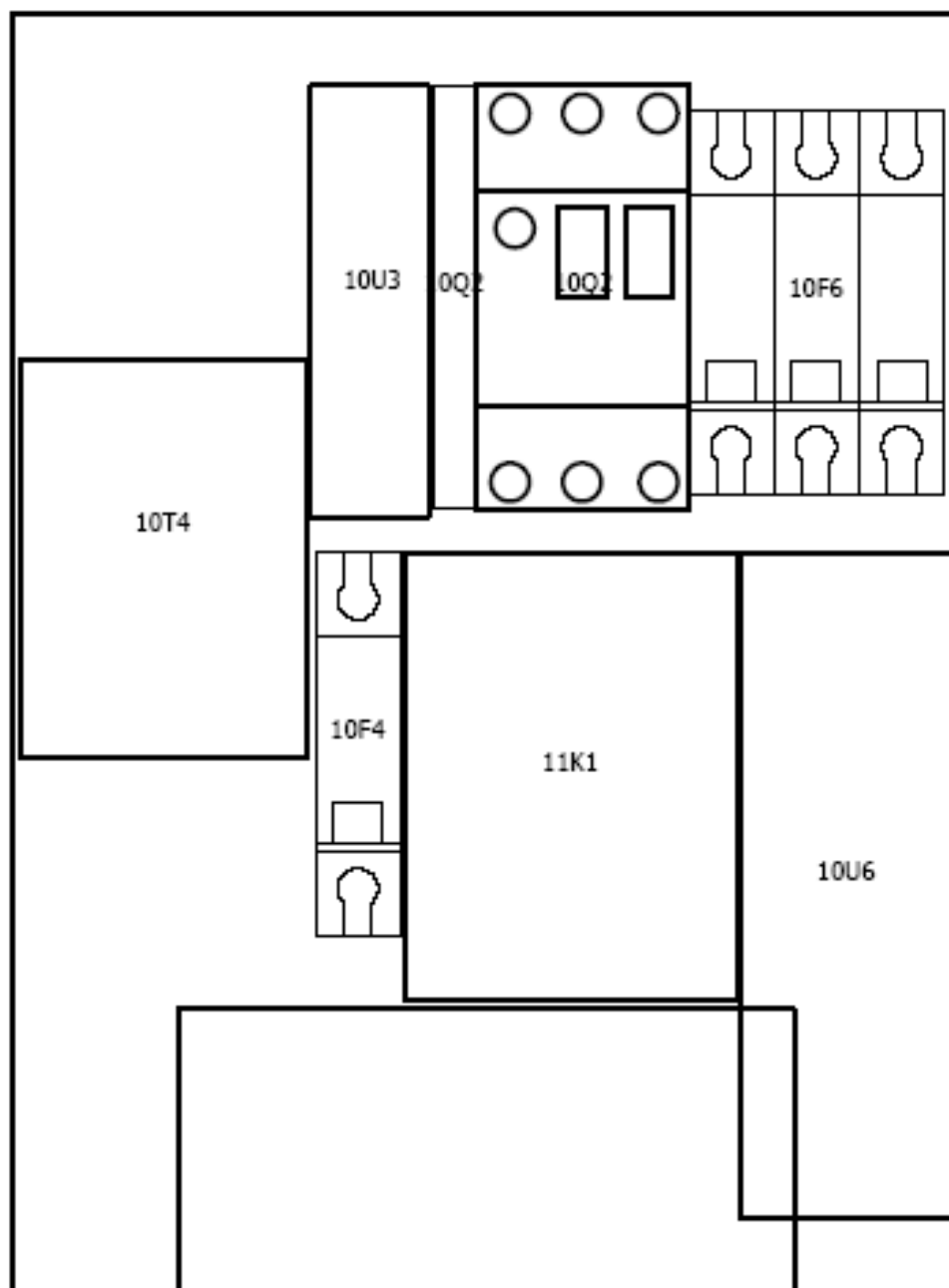
## WIRE COLOR

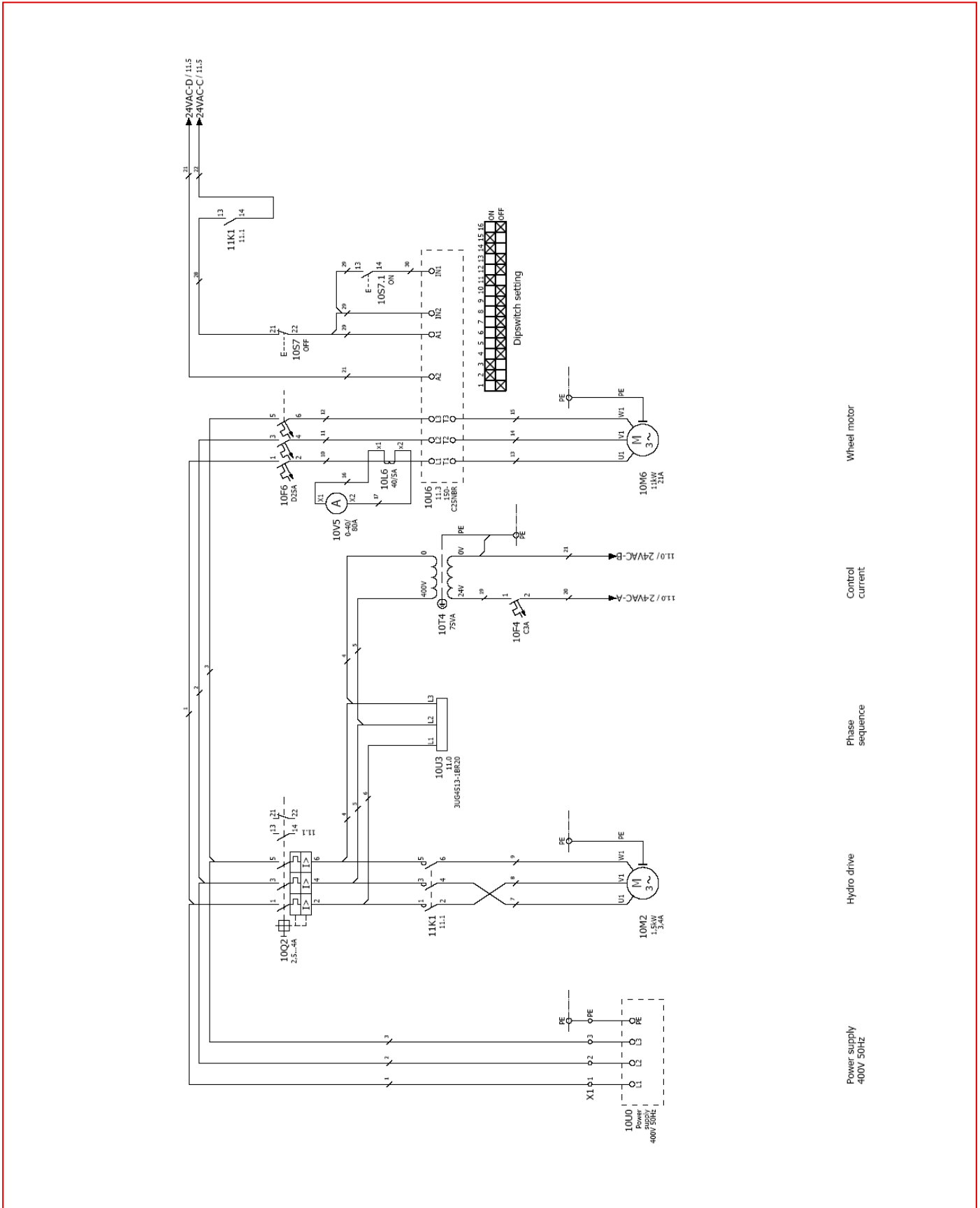
Main Voltage 400/230V

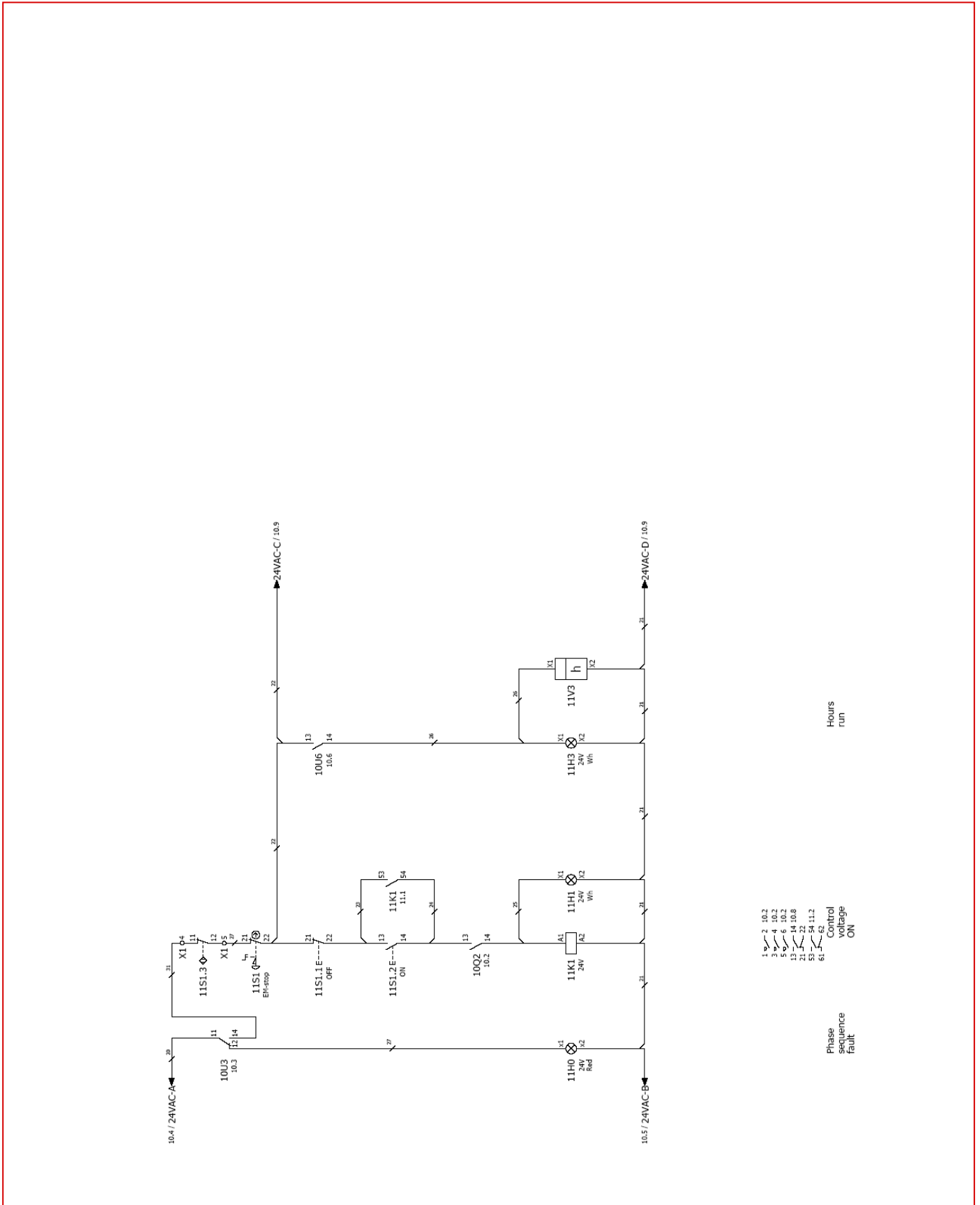
Phase	Colors
L1	- Black
L2	- Black
L3	- Black
N	- Blue
Earth / PE	- Yellow/Green

Control Voltage - alternate voltage

Phase (AC)	- Red
Neutral (AC)	- Red
Potential	- Orange







## Terminal diagram

function text	Cable name	cable type	Connection point	terminal	jumper	Target designation	Target designation	Connection point	Cable name	cable type	Page / column
Power supply 400V 50Hz			L1	1	•	1002		1			10.0
=			L2	2	•	1002		3			10.0
=			L3	3	•	1002		5			10.0
=			PE	PE	•	PE					10.1
Phase sequence fault			L1	4	•	1003		14			11.1
=			L2	5	•	1151		21			11.1

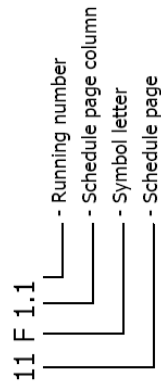
## Parts list

device tag	Quantity	designation	Type number	part number
I0F4	1	Miniature circuit breaker	MCB C6A Lp	24238
I0F6	1	Miniature circuit breaker	MCB C60A 3p	24288
I0F6	1	Miniature circuit breaker	MCB D25A 3p	24604
I0Q2	1	Motor circuit breaker	GZ2 FIE08	GZ2 FIE08
I0Q2	1	auxiliary contact	GZ2 N11	GZ2 N11
I0S7	1	element NC	ZB4 B2 L02	ZB4 B2 L02
I0S7	1	Puffbutton COMBI	ZB5 A9234	ZB5 A9234
I0S7.1	1	element NO	ZB4 B2 L01	ZB4 B2 L01
I0T4	1	Transformer 400/140V-24V	96-01 021	96-01 021
I0T4	1	3 phase control relay	ZB4 B2 L0	ZB4 B2 L0
I0U2	1	Stop button	150C54B8	150C54B8
I0U5	1	Apparator	ZEI48 15S205 10	ZEI48 15S205 10
I1H2	1	Complete device, round, indicator light	ZB5 A9234	ZB5 A9234
I1H3	1	Complete device, round, indicator light	ZB4 B2 L01	ZB4 B2 L01
I1K1	1	Connector	LC1 D09B7	LC1 D09B7
I1K1	1	Auxiliary contact 1/NO 1x/NC	LAD N11	LAD N11
I1S1	1	element NC	ZB4 B2 L02	ZB4 B2 L02
I1S1	1	Emergency stop	ZB5 A5844	ZB5 A5844
I1S1.1	1	element NC	ZB4 B2 L02	ZB4 B2 L02
I1S1.1	1	Puffbutton COMBI	ZB5 A9234	ZB5 A9234
I1S1.2	1	element NO	ZB4 B2 L01	ZB4 B2 L01
I1V3	1	Elapsed time counter	B64-17	B64-17



E06442 / 3x 480V UL / 60Hz

## SYMBOL CODE



## WIRE COLOR

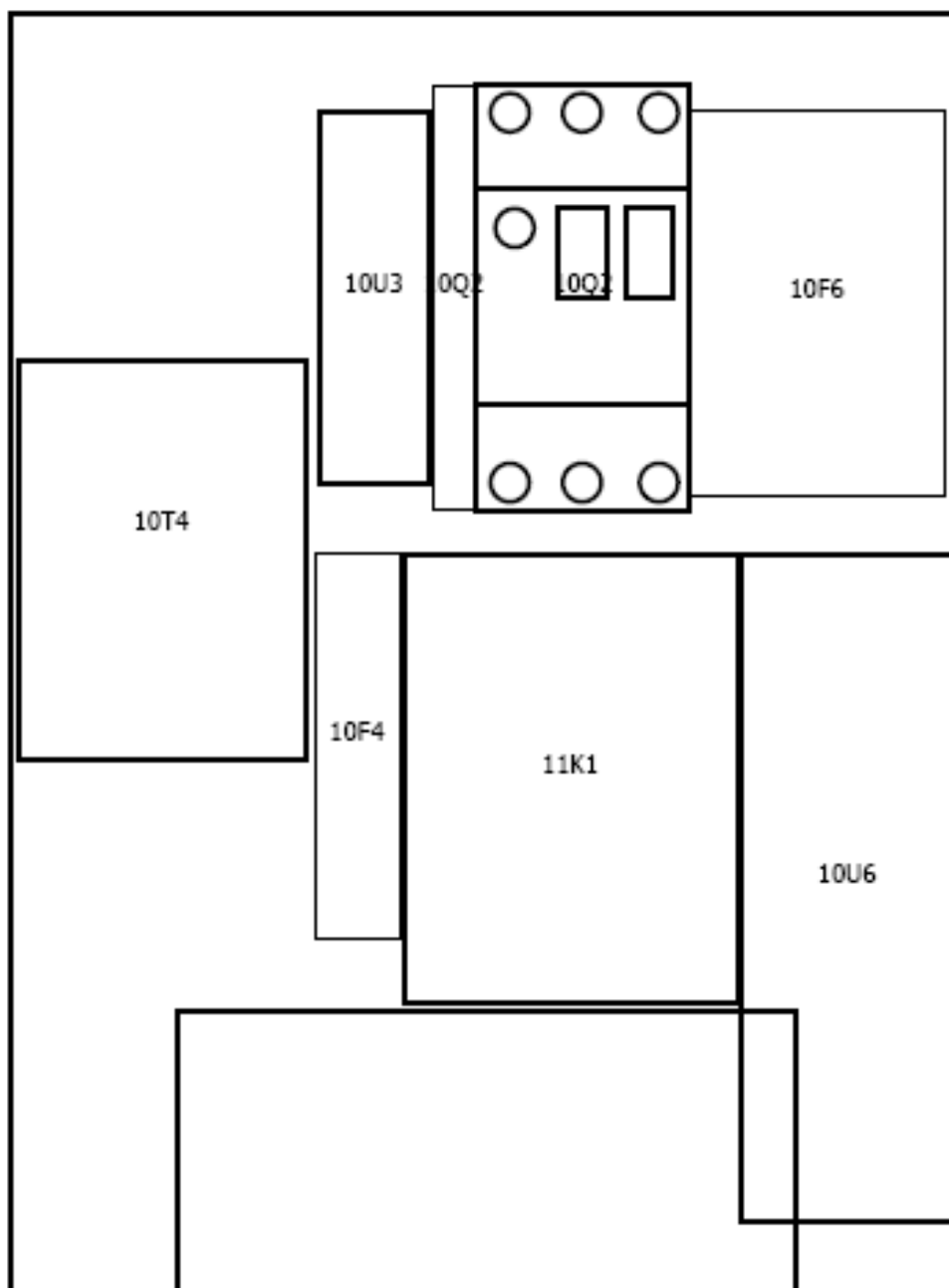
All wiring UL type  
Main Voltage 480/230V

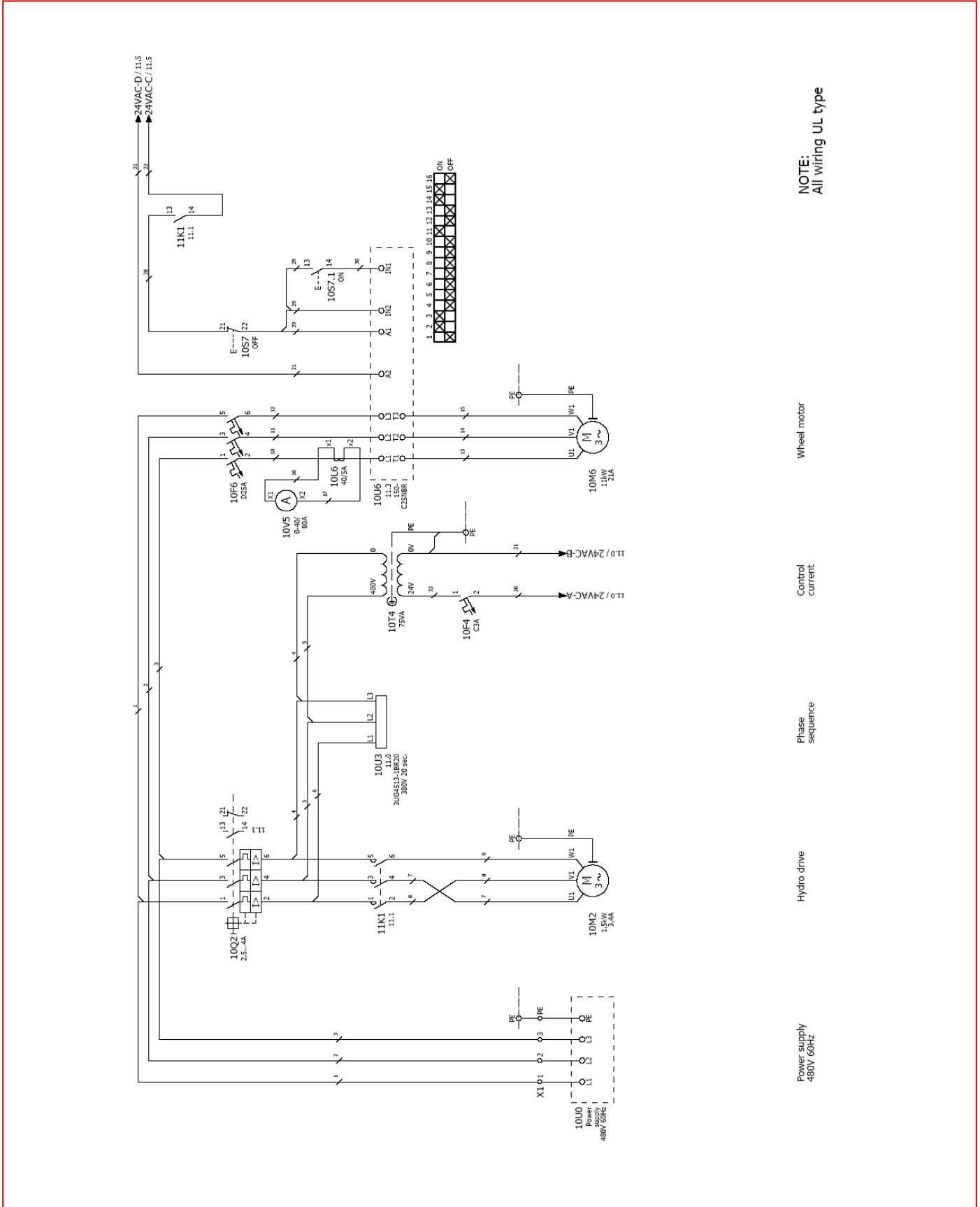
Phase	Colors
L1	- Black
L2	- Black
L3	- Black
N	- Blue
Earth / PE	- Yellow/Green

Control Voltage - alternate voltage

Phase (AC)	- White
Neutral (AC)	- White
Potential	- Orange

	auxiliary contact	hulpcontact		signaallamp		smeivestigheid
	Power contact	vermogenscontact		hoorn		schakelbare schieder
	NO contact, opens with time delay	maakcontact, vertraagd open		ampm.meter		schieder "kluisbak"
	NO contact, closes with time delay	maakcontact, vertraagd sluitend		runninghour counter		hoofdschakelaar
	NC contact, opens with time delay	wekecontact, vertraagd open		transformator		installeerautomat 1-polig
	NC contact, closes with time delay	wekecontact, vertraagd sluitend		Contactor coil relay coil		installeerautomat 2-polig
	Pushbutton rebound	dukknop terugrend		spoel		installeerautomat 3-polig
	Pushbutton locking	dukknop blijvend		Spool met opkomvertraging		motorbeveiligingsschakelaar
	Rotary switch rebound	tip draaischakelaar		spoel met afvalvertraging		electrisch bediende klep
	Rotary switch locking	draaischakelaar		Contactor pulse coil relay pulse coil,		regelbare weerstand
	Emergency stop rotary unlock	noodstop met draaibare vrijgave		Tube light		rijgklem
	Thermostatic switch	thermostaat		Resistor / Heating		rijgklem met zekering
	Pressure switch	dukschakelaar		Socket		geijlrichter
	Limit switch	eindschakelaar		Current transformer		
	Proximity switch	naderingsschakelaar				





NOTE:  
All wiring UL type

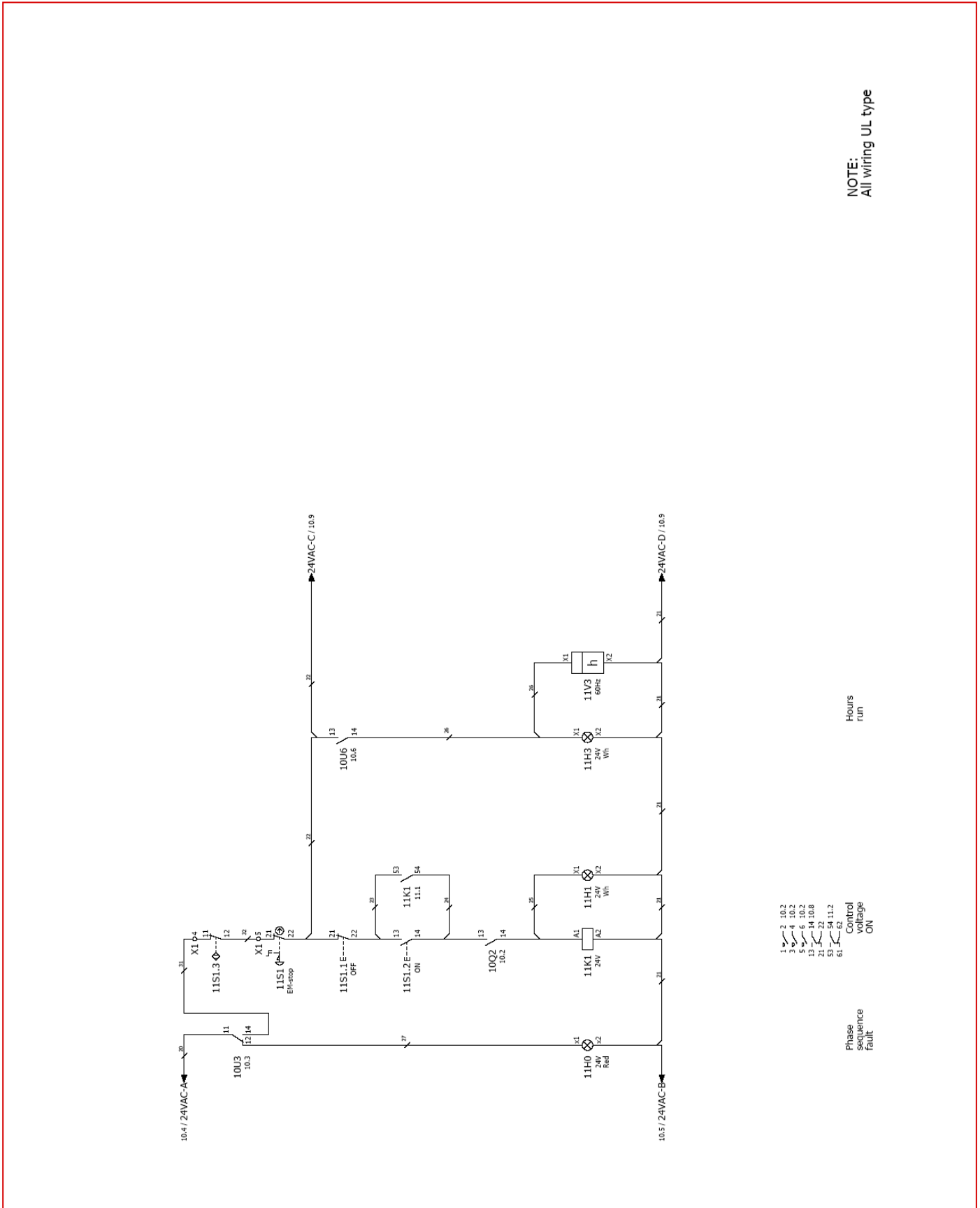
Wheel motor

Control current

Phase sequence

Hydro drive

Power supply  
480V 60Hz



Terminal diagram

function text	Cable name		Cable name		Page / column
	terminal	Connection point	terminal	Connection point	
Power supply 400V 50Hz = = = Phase sequence fault =	1000	L1	1002	1	10.0
	1000	L2	1002	3	10.0
	1000	L3	1002	5	10.0
	1000	PE	PE		10.1
	1151.3	L1	1003	14	11.1
	1151.3	L2	1151	21	11.1

